

Automotive lifts
monolift, duolift® und quattrolift



The supporting columns
of your workshop

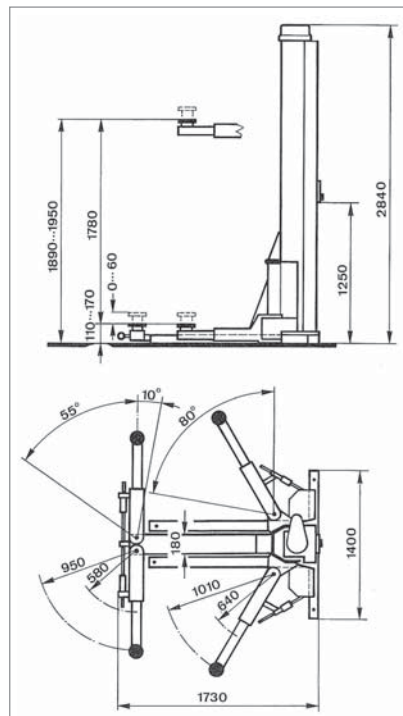
Single-post lift



monolift ME 2.0

Specially suited for use in confined spaces and passage ways and for body work where unrestricted access to one car side is important.

- Lifting carriage guided inside the column
- Special supporting nut made of Nylatron
- Low pick-up height
- Pick-up pads can be lowered for the car to drive over
- Optimum safety system owing to new nut assembly featuring "programmed safety"
- Infinitely adjustable arm locks
- Excellent access to car underside owing to compact arms
- Large range of applications owing to optimum arm adjustment



The foundation slab must be made of concrete of C20/25 quality and have the following size:

3000 mm x 3000 mm x 200 mm

Two-post lift for garage and tyre shop



duolift GTE 2500

The standard lift with base frame is designed for vehicles of a gross vehicle weight of up to 2500 kg.

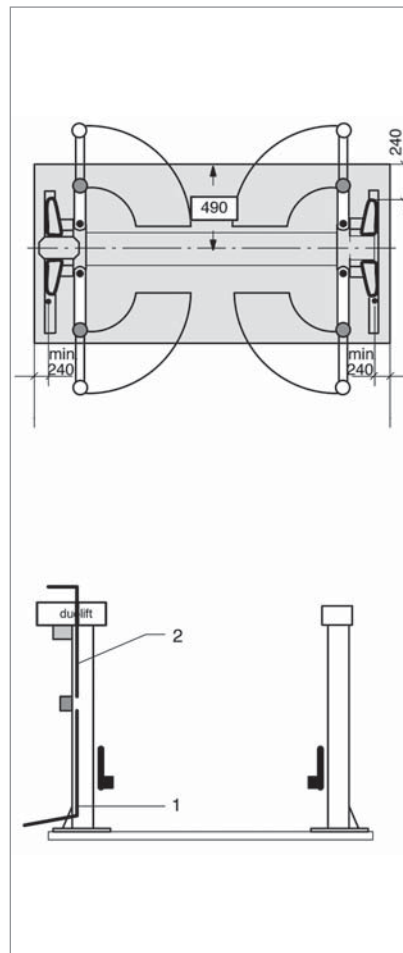
The duolift GTE 2500 is of very rugged design, the lifting columns are made of specially rolled long-life column profile which guarantees utmost stability. The low-wear Nylatron supporting nuts have excellent characteristics in case of emergency, the rolled-thread spindles are wear-proof.

The lifting carriage is equipped with six maintenance-free rollers. The wide door stop provides good access to the car doors.

The base frame is as low as 45 mm only. Pick-up height is 105–165 mm.

The automatic arm lock and the chain guide integrated in the base frame as well as the chain fracture switch guarantee utmost reliability.

The wide-spread service network and our professional training centre guarantee technical know-how from the first training to hot line help.



Rated load capacity	2500 kg
Admissible load distribution	
front/rear	2:3 3:2
Max. lifting travel	1800 mm
Lifting time up to max. height	approx. 45 s
Pick-up height	
- with vertically adjustable pick-up pads	approx. 105 – 165 mm
- with stationary pick-up pads	95 mm
Diameter of pick-up pads	120 mm
Power supply (standard)	3/PE AC 50 Hz 380-415 V

The foundation slab must be made of concrete of C20/25 quality and have the following size:
3700 mm x 1400 mm x 150 mm

Two-post lifts for garage and tyre shop



duolift BTE 3200

This lift has all the features of the duolift BT 2500, but is designed for light trucks as well considering its rated load capacity of 3200 kg.

The two electric motors ensure a powerful performance. The foundation slab must be made of concrete of C20/25 quality and have the following size: 3850 mm x 1450 mm x 200 mm

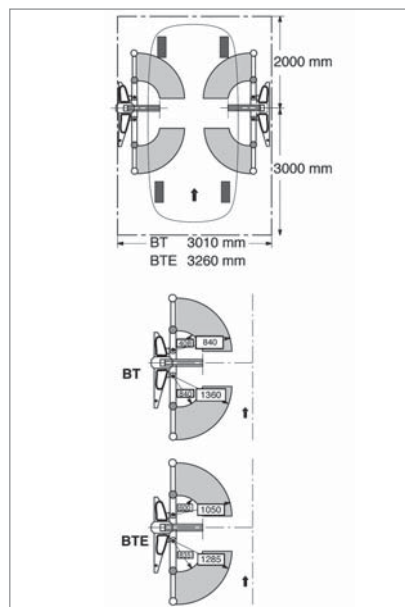
duolift BT 2500

This standard lift without base frame is designed for cars and vans of a gross vehicle weight of up to 2500 kg and for straightening benches.

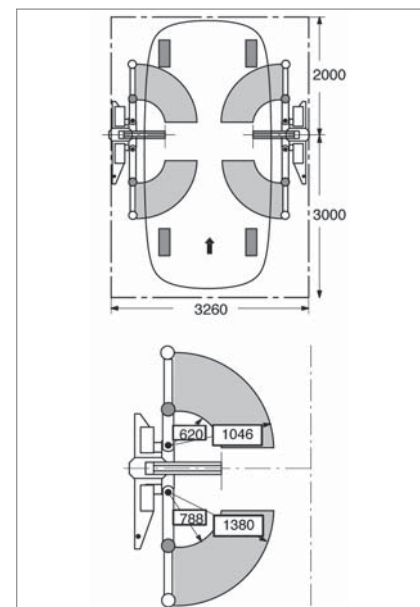
In addition of the features of the duolift GTE 2500 the duolift BT 2500 has an automatic chain tensioning system. The lift is perfectly synchronised through the chain and consequently operates smoothly and steadily.

The wide-spread service network and our professional training centre guarantee technical know-how from the first training to hot line help.

The foundation slab must be made of concrete of B25 quality and have the following size:
3500 mm x 1400 mm x 150 mm



Rated load capacity	2500 kg
Admissible load distribution front/rear	2:3 3:2
Max. lifting travel	1800 mm
Lifting time up to max. height	approx. 45 s
Pick-up height	
- with vertically adjustable pick-up pads	approx. 105 – 165 mm
- with stationary pick-up pads	95 mm
Diameter of pick-up pads	120 mm
Power supply (standard)	3/PE AC 50 Hz 380-415 V



Rated load capacity	3200 kg
Admissible load distribution front/rear	1:2 2:1
Max. lifting travel	1800 mm
Lifting time up to max. height	approx. 45 s
Pick-up height	
- with vertically adjustable pick-up pads	approx. 125 – 195 mm
- with stationary pick-up pads	125 mm
Diameter of pick-up pads	120 mm
Power supply (standard)	3/PE AC 50 Hz 380-415 V

Two-post lifts for garage and tyre shop



duolift MTF 3000

This standard lift without base frame and with mechanic synchronisation control is designed for cars, vans and light trucks of a gross vehicle weight of up to 3000 kg.

The duolift MTF 3000 has slim, but stable lifting columns. The low-wear Nylatron supporting nuts have excellent characteristics in case of emergency, the rolled-thread spindles are wear-proof.

The two-part short supporting arms with their large swing range can be unlocked and locked automatically. Owing to the low pick-up height of 98 mm only there is no problem to accommodate even low-bed vehicles on the lift. The asymmetric design gives free access to the vehicle doors on both sides.

The wide-spread service network and our professional training centre guarantee technical know-how from the first training to hot line help.

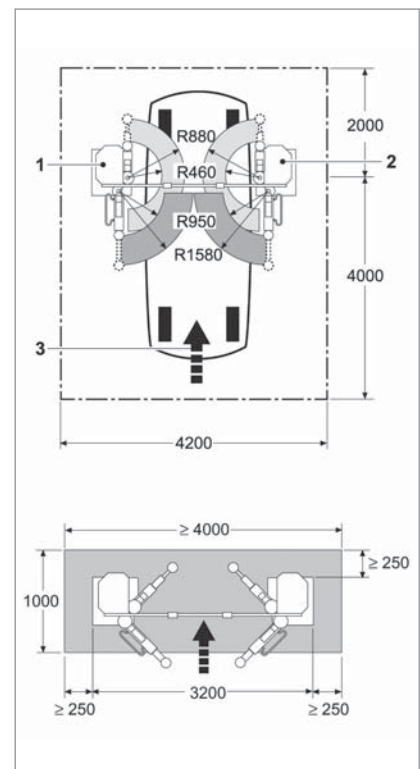
duolift MTF 3000-2

This OEM lift has a grey finish and is additionally equipped with tool trays, an impact wrench holder and an energy station (1 x 230 VAC, 1 x compressed air supply).

The four pick-up pads are vertically adjustable from approx. 80 – 125 mm.

The foundation slab must be made of concrete of C20/25 quality and have the following size:
 4000 mm x 1000 mm x 300 mm
 4000 mm x 1000 mm x 200 mm with double reinforcement

Rated load capacity	3000 kg
Admissible load distribution front/rear	2:3 3:2
Max. lifting travel	1890 mm
Lifting time up to max. height	approx. 45 s
Pick-up height MTF 3000	approx. 98 – 140 mm
Pick-up height MTF 3000-2	approx. 80 – 105 mm
Diameter of pick-up pads	120 mm
Power supply (standard)	3/PE AC 50 Hz 380-415 V



Two-post lift for garage and tyre shop



duolift MSE 5000

This standard lift without base frame is designed for cars, vans and light trucks of a gross vehicle weight of up to 5000 kg.

The duolift MSE 5000 is of extremely rugged design, the lifting columns are made of specially rolled long-life column profile which guarantees utmost stability. The low-wear Nylatron supporting nuts have excellent characteristics in case of emergency.

The three-part long supporting arms with their large swing range can be unlocked and locked automatically and adjusted to variable lengths. Owing to the low pick-up height of 140 mm only there is no problem to accommodate both cars and light trucks. Moreover the pick-up pads are vertically adjustable.

Drive is by means of two synchronised electric motors, the crossbeam is vertically adjustable to suit customer requirements.

The wide-spread service network and our professional training centre guarantee technical know-how from the first training to hot line help.

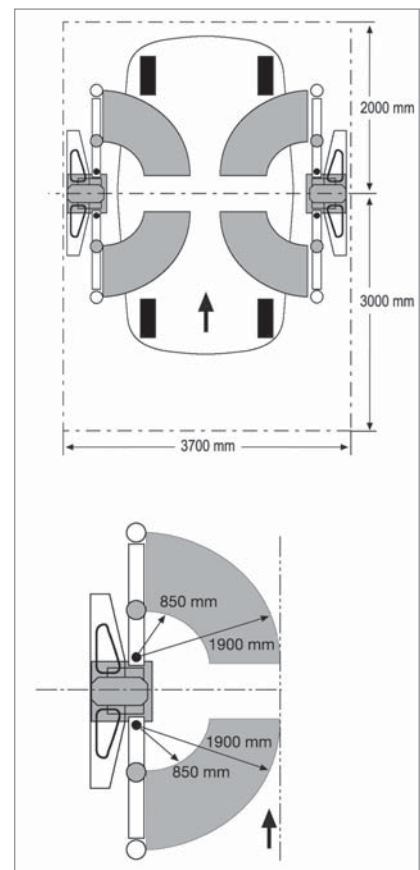
The foundation slab must be made of concrete of C20/25 quality and have the following size:

4200 mm x 2000 mm x 250 mm with double reinforcement

When the optional supporting frame is used the foundation slab size of concrete of C20/25 quality must be as follows:

4200 mm x 2000 mm x 150 mm

Rated load capacity	5000 kg
Admissible load distribution front/rear	2:1 1:2
Max. lifting travel	1820 mm
Lifting time up to max. height	approx. 40 s
Pick-up height	approx. 140 – 220 mm
Diameter of pick-up pads	120 mm
Power supply (standard)	3/PE AC 50 Hz 380-415 V



Four-post lift



quattrolift 4000 S

This four-post lift is designed for service check-in, wheel alignment and service work, providing ample space around the vehicle.

Owing to the low pick-up height this lift is specially designed for vehicles with low ground clearance. The runways can be readjusted to each other in order to adjust the quattrolift to the individual work place. The cylinder is provided under the runway to save additional space.

The four columns feature level adjustment for most accurate positioning of the vehicle, which makes this lift ideally suited for wheel alignment.

Additional features are the torsion-free design, very short lifting times, electro-hydraulic drive, simple operation and an electro-mechanical safety system.

The wide-spread service network and our professional training centre guarantee technical know-how from the first training to hot line help.

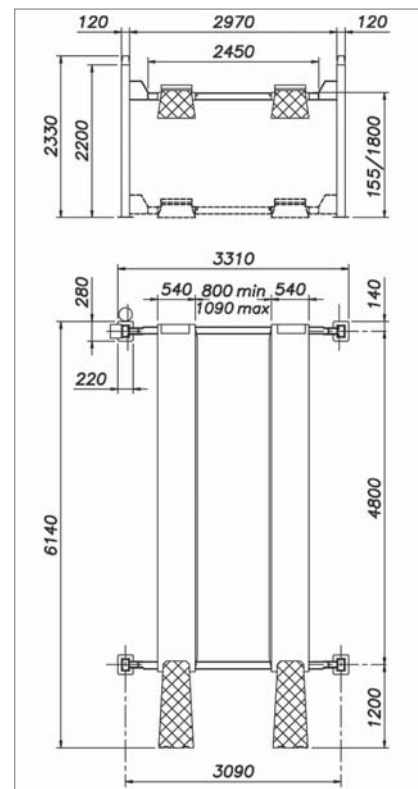
The foundation slab must be made of concrete of C20/25 quality and have the following size:
3400 mm x 4800 mm x 160 mm

quattrolift 4000 SL

Overall length including drive-on ramps 6140 mm.

The foundation slab must be made of concrete of C20/25 quality and have the following size:
3550 mm x 5320 mm x 160 mm

Rated load capacity	4000 kg
Max. lifting height	1800 mm
Min. pick-up height	
- quattrolift 4000 S	135 mm
- quattrolift 4000 SL	155 mm
Length of runways	
- quattrolift 4000 S	4300 mm
- quattrolift 4000 SL	4800 mm
Inside width between columns	
- quattrolift 4000 S	2820 mm
- quattrolift 4000 SL	2970 mm
Overall length including drive-on ramps	
- quattrolift 4000 S	5640 mm
- quattrolift 4000 SL	6140 mm
Width of runway	540 mm
Lifting time up to max. height	approx. 30 s
Oil quantity	approx. 8 l
Power supply (standard)	3/PE AC 50 Hz 380-415 V



* For jacking beam see price list

Accessories

The supporting columns of your workshop

Accessories	Ref. No.	monolift	duolift BT 2500	duolift GTE 2500	duolift MTF 3000	duolift MTF 3000-2	duolift BTE 3200	duolift MSE 5000
Pick-up pads, vertically adjustable	H6464307		+	+			+	+
Pick-up pads, vertically adjustable	H6490900				+	+		
Special pick-up pads	H6492077				•	•	•	
Pick-up pads, stationary	H6463852		•	•	•	•	•	•
Pick-up pads for MB jeep/van	H6464299		•	•			•	•
Add-on pads	H6462859	•	•	•			•	•
Add-on pads 120 mm dia.	H6490217	•	•	•			•	•
Add-on pads MB-100	H6490514							•
Pick-up pad adaptor for MB jeep	H6490373		•	•			•	•
Replacement kit	H1701363		•	•			•	•
Accessory for MB jeep/van	H6490091		•	•			•	•
Accessory kit for vans / LT	H6464297		•	•			•	•
Accessory kit for MB Sprinter	H6492029							•
Accessory kit for VW LT2	H6490808							•
Accessory kit for vans / LT	H6490860							•
Short arm / fork-lift truck	H6490871							•
Safety plug-in adaptor	H6490301		•	•			•	•
Safety means for MB A class	H1951510		•	•			•	•
Energy station	H6492016		•	•	•	•	•	•
Impact wrench holder	H6492013		•	•	•	•	•	•
Tool trays	H6492007		•	•			•	•
Tool trays	H6491099				•	•		
Accessory kit	H6492006		•	•			•	•
Accessory kit	H6491098				•	•		
Large door stop	H6490886				•	•		
Supporting frame	H6490864				•	•		
Supporting frame	H6490829							•
Reducing sleeve dia. 55 > 45	H6490902							•
Wheel grips	H6490853							•
Wheel grips	H6490821							•

• Option + Standard equipment

Snap-on® Equipment

France

Snap-on Equipment France
Za du Vert Galant · 15, rue de la Guivernone BP7175 · 95310 Saint-Ouen-L'Aumône
Tel: +33 (0) 134/48 58-78 · Fax: +33 (0) 134/48 58-70 · www.snapon-equipment.fr

Germany

Snap-on Equipment GmbH
Undercar
Werner-von-Siemens-Str. 2 · 64319 Pfungstadt
Tel: +49 (0) 6157/12-0 · Fax: +49 (0) 6157/12-286 · www.snapon-equipment.de

Italy

Snap-on Equipment s.r.l.
Via Prov. Carpi, 33 · 42015 Correggio (RE)
Tel: +39 0522/733-411 · Fax: +39 0522/733-410 · www.snapon-equipment.it

United Kingdom

Snap-on Equipment Ltd.
48 Sutton Park Avenue · Reading RG6 1AZ
Tel: +44 (0) 118/929-6811 · Fax: +44 (0) 118/966-4369 · www.hofmann.co.uk

Export – Europe, Africa, Middle East, Australia, NZ

Snap-on Equipment s.r.l.
Via Prov. Carpi, 33 · 42015 Correggio (RE)
Tel: +39 0522/733-483 · Fax: +39 0522/733-479 · www.hofmann-ge.com