



Stenhøj Maestro 2.30 S

2-post electro-mechanical lift

Maestro 2.30 S lift is especially suitable for all kinds of repairs that require free access to underbody and wheels. The Maestro 2.30 S has a lifting capacity of 3 t.

Features:

Top safety:

- nut breakage system
- obstruction system
- automatic arm lock system
- electronic synchronization system

Elegant control box

- with dead-man controls and separate main switch

Arms can be parallel-parked

- advantage when having to lift vehicles with very short wheel base
- easy and quick positioning of arms to lifting points of vehicle

Lifting height

- 2015 mm



STENHØJ

DK-7150 Barrit

Denmark

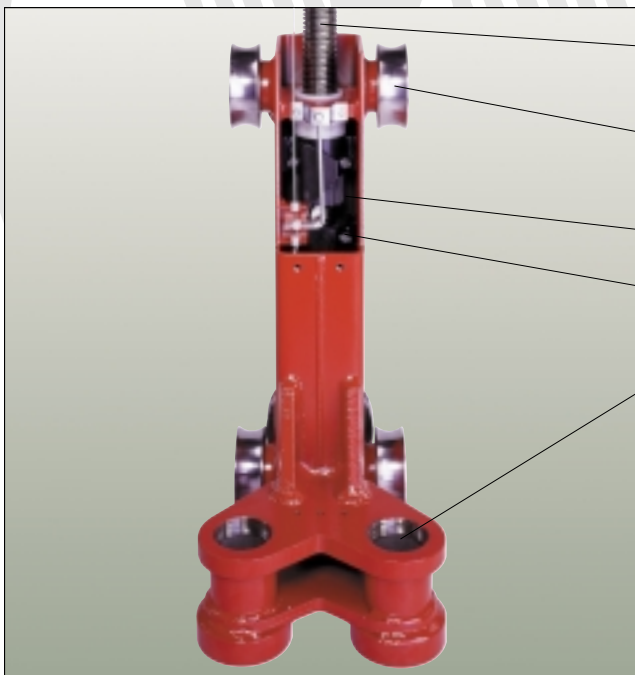
Phone: +45 7682 1330

Fax: +45 7682 1331

www.stenhøj.dk

E-mail: autolift@stenhoj.dk

Stenhøj Maestro 2.30 S



Quality to the last detail

- cold-rolled, centred spindle with long long life - quadrupled compared to current constructions
- 6 large guiding wheels in lubrication-free needle bearings
- the most durable nut set on the market
- obstruction system
- internal automatic arm locking device

Technical data: Maestro 2.30 S

Lifting capacity:	3000 kg
Lifting time:	50 sec.
Motor:	2 x 1.5 kW

Optional extras:

Expansion bolts, tool trays, switch outlet, rubber covers, 100 mm, 190 mm and 260 mm pad sets.

Corrosion-proof surface treatment

All Stenhøj lifts are led through a sling purifying plant (according to SA2.50 - ISO-Norm 8501-1:1988), dipped in primer, and finally led through an electro-static powder bake plant.

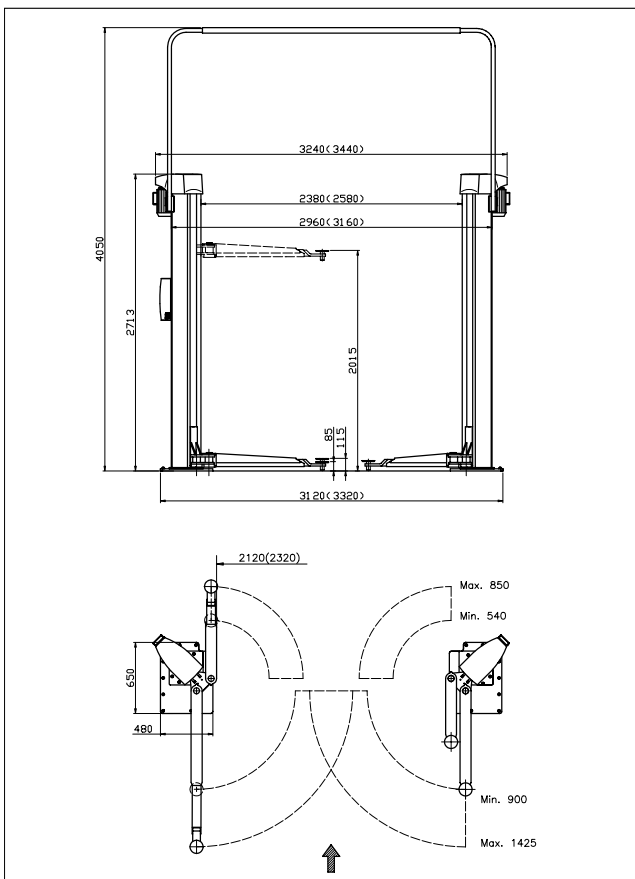
Standard colours:

Red RAL 3013
White RAL 9002.
Special colour combinations on request.

Identification of a Maestro 2.30 S lift:

First digit (2) = number of motors
Last two digits (30) = capacity in 100 kg
Letter:
S = screw pad

No liability accepted for specifications, which are subject to alteration.



STENHØJ

DK-7150 Barrit
Denmark

Phone: +45 7682 1330

Fax: +45 7682 1331

www.stenhøj.dk

E-mail: autolift@stenhøj.dk