

Stenhøj Mascot 3322 S & CF

Mascot 3322 S & CF

Mascot 3322 is a 2-motor, 2-post electro-mechanical lift without base frame

Stenhøj Mascot 3322 S & CF are equipped with system against nut breakage, internal arm locking system that is automatically released in bottom position; as well as dead-man controls, separate main switch and obstruction system.

Mascot 3322 has a lifting capacity of 3 t. The lifts are only available with portal for a total height of 4050 mm; and cannot be delivered with cables for in-ground installation.

The lifts are as standard without rubber post covers.

We recommend installation with adhesive anchors (777224).



Mascot 3322 S has adjustable screw pads – adjustable from 100 to 150 mm. We offer only one type of pad sets for this lift type – a set of pad extensions, which increases the height by 20 mm.

Mascot 3322 CF has adjustable combiflex pads – adjustable from 95 to 260 mm. We offer a variety of extra flex and U-pads for this lift type.

Mascot 3322 S and CF are available each with one type of arm sets only.



STENHØJ
lifting the level

Stenhøj Mascot 3322 S & CF

CORROSION-PROOF SURFACE TREATMENT

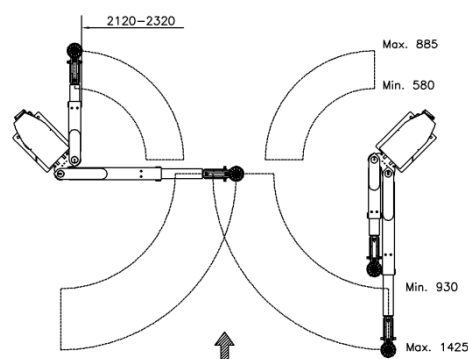
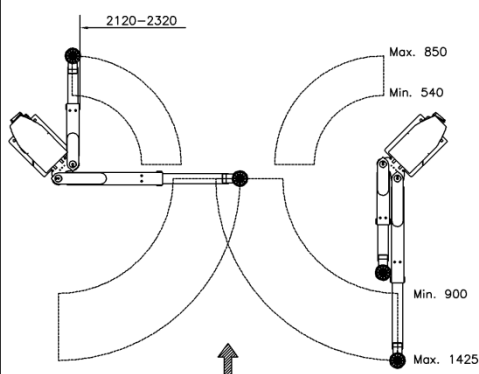
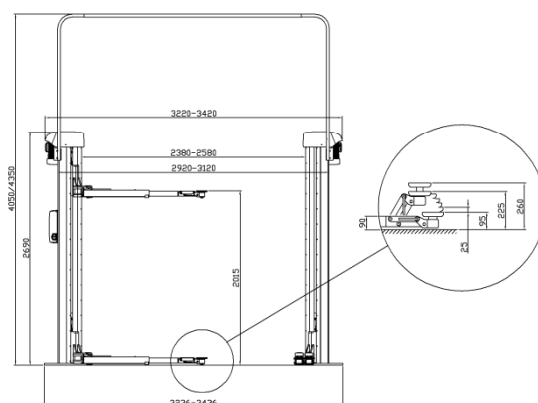
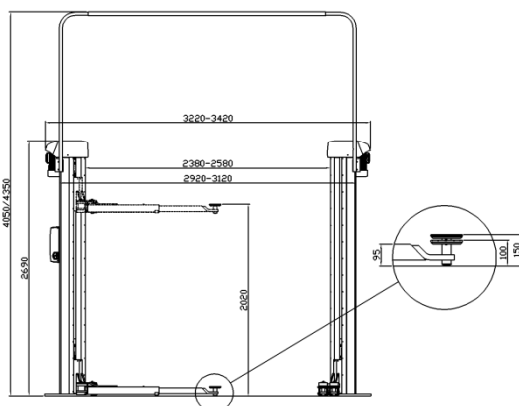
Stenhøj lifts are led through a sling purifying plant (according to SA2.50 – ISO-Norm 8501-1:2007), dipped in primer and finally led through an electrostatic powder bake plant.

Technical data

Mascot 3322 S

Mascot 3322 CF

Lifting capacity	3000 kg	3000 kg
Lifting / lowering time	40 sec.	40 sec.
Stroke length	2020 mm	2015 mm
Max. lifting height	2070 mm	2180 mm
Min. height	100 mm	95 mm
Min./max. arm lengths	540/850 mm 900/1425 mm	580/885 mm 930/1425 mm
Motors	2 x 1.5 kW	2 x 1.5 kW




STENHØJ
lifting the level

Stenhøj Autolift A/S
Denmark

Tel: +45 76 82 13 30
Fax: +45 76 82 13 31
Mail: autolift@stenhoj.dk
Web: www.stenhoj.dk

Standard colours

Dark grey RAL 7016
Light grey RAL 7042

No liability accepted for specifications, which are subject to alteration.